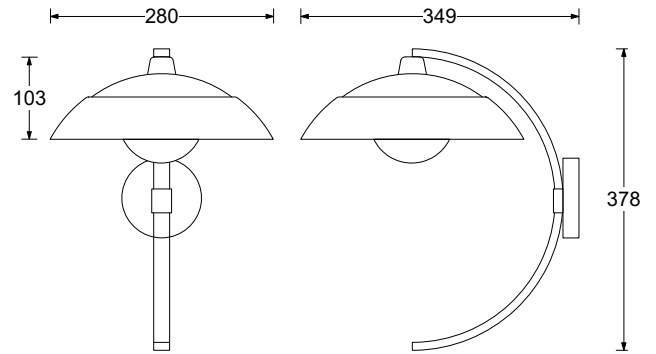


## PRODUCT SPECIFICATION SHEET



Dimensions in mm and approximate

## Wall Lamp One | Crescent

### Finish Options

○ Satin White  
CR.WL1.SWH/BBR

● Satin Black  
CR.WL1.SBL/BBR

*(Others available on request)*

### Shade

As stated above

### Lamp Base

E14 Retrofit

### Recommended Lamp

1 x E14 4W LED 2700K

### Flex

Hard wired to wall

### Switching & Plug

N/A

### Base Weight

3.7 kg approx.

### Dimming Type

Phase dimming

### Certification

