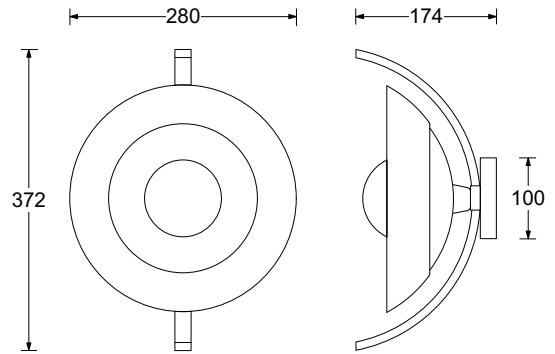
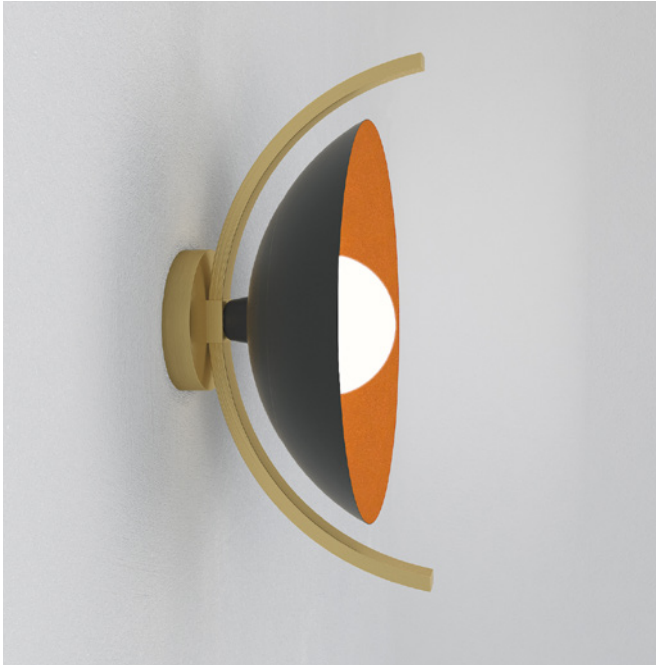


PRODUCT SPECIFICATION SHEET



Dimensions in mm and approximate

Wall Lamp Two | Crescent

Finish Options

○ Satin White
CR.WL2.SWH/BBR

● Satin Black
CR.WL2.SBL/BBR

(Others available on request)

Shade

As stated above

Lamp Base

E14 Retrofit

Recommended Lamp

1 x E14 4W LED 2700K

Flex

Hard wired to wall

Switching & Plug

N/A

Base Weight

3.7 kg approx.

Dimming Type

Phase dimming

Certification

