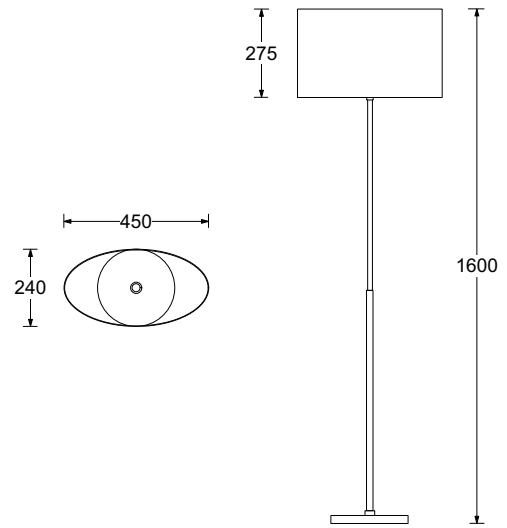


## PRODUCT SPECIFICATION SHEET



Dimensions in mm and approximate

## Floor Lamp | Oval

### Finish Options



Brushed Brass  
OV.FL.BBR.OYC



Brushed Nickel  
OV.FL.BNI.OYC

*(Others available on request)*

### Shade

Oyster Cotton

### Lamp Base

E27 Retrofit

### Recommended Lamp

1 x E27 8W LED 2700K

### Flex

2metre length 3-core cable in black silk covered sheath

### Switching & Plug

13A 3-pin UK plug

### Base Weight

8.5 kg approx.

### Dimming Type

Phase dimming

### Certification

