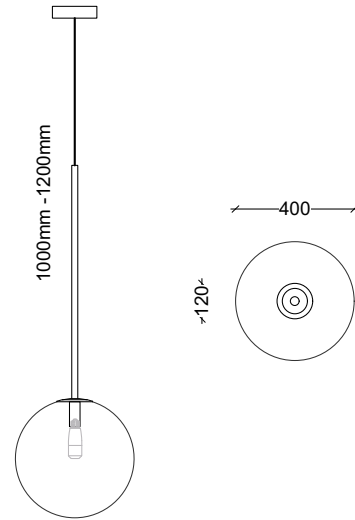


PRODUCT SPECIFICATION SHEET



Dimensions in mm and approximate

Pendant Four | Post

Finish Options	<ul style="list-style-type: none"> Brushed Brass / Opal Glass PO.P4.BBR/OP Satin Black / Tinted Glass PO.P4.SBL/TGL <p><i>(Others available on request)</i></p>	Flex	Hard wired to ceiling
Shade	As stated above	Switching & Plug	N/A
Lamp Base	E27 Retrofit	Base Weight	2.2 kg approx.
Recommended Lamp	1 x E27 6W LED 2700K	Dimming Type	Phase dimming
		Certification	