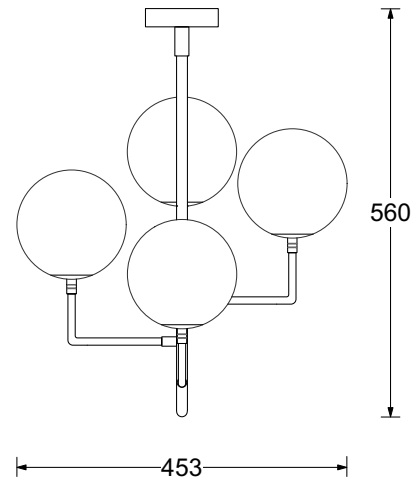


PRODUCT SPECIFICATION SHEET



Dimensions in mm and approximate

Pendant Three | Post

Finish Options

- Brushed Brass / Opal Glass
PO.P3.BBR/OP
- Satin Black / Tinted Glass
PO.P3.SBL/TGL

(Others available on request)

Shade As stated above

Lamp Base E14 Retrofit

Recommended Lamp 4 x E14 4W LED 2700K

Flex Hard wired to ceiling

Switching & Plug N/A

Base Weight 3.5 kg approx.

Dimming Type Phase dimming

Certification 