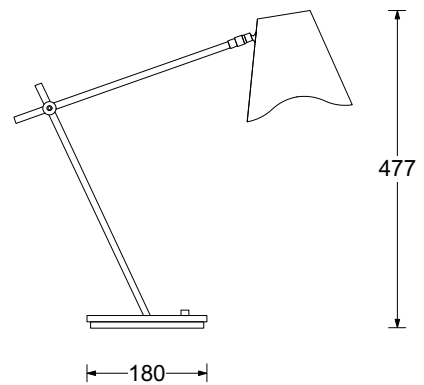


## PRODUCT SPECIFICATION SHEET



Dimensions in mm and approximate

## Table Lamp Two | Wave

<b>Finish Options</b>	<ul style="list-style-type: none"> <li>● Satin Black / Silken Black Shade WA.TL2.SBL.SIB</li> <li>● Brushed Nickel / Oyster Cotton Shade WA.TL2.BNI.OYC</li> </ul> <p><i>(Others available on request)</i></p>	<b>Flex</b>	2metre length 3-core cable in black silk covered sheath
<b>Shade</b>	As stated above	<b>Switching &amp; Plug</b>	13A 3-pin UK plug
<b>Lamp Base</b>	E14 Retrofit	<b>Base Weight</b>	5 kg approx.
<b>Recommended Lamp</b>	1 x E14 4W LED 2700K	<b>Dimming Type</b>	Phase dimming
		<b>Certification</b>	CE